

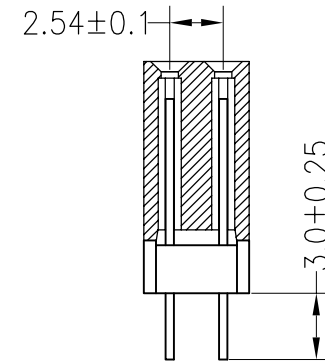
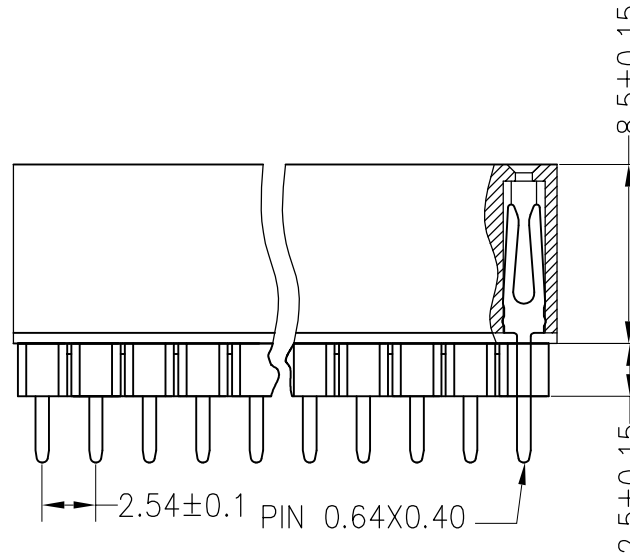
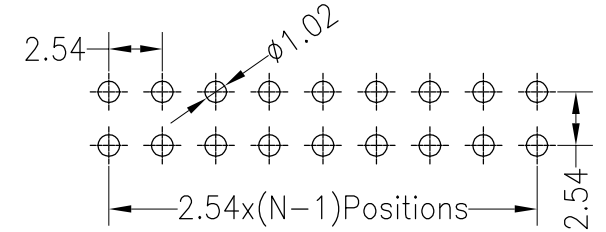
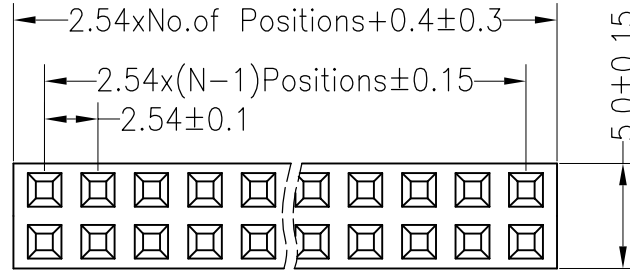


SPECIFICATIONS

Rated Current:3.0AMP
 Contact Resistance:20mΩ Max
 Withstand Voltage:1000V AC/DC
 Insulation Resistance:1000MΩ Min
 Operation Temperature:-40°C to +105°C

Contact Material:Brass
 Contact Plating:Au Over Ni
 Insulator Material:Polyester(UL94V-0)
 Standard: PBT
 Max.Processing Temp: 180°C for 30-60 seconds
 (200°C for 10 seconds)

Recommended P.C.B Layout(Top Side)
 (PCB BOARD TOLERANCE±0.05)



| | | | | | | | | | | | | |
|-----|------------|--------------------------|---|-----------|-------|---------|-------|-----|-----|--|--|--|
| | | | | OPERATION | | DRAW | SCALE | | FIT | | 深圳市连盛精密连接器有限公司 PART NO. FH-00179 TITLE: 2.54FH H8.5mm+H2.5mm 2X30 pin DIP W5.0mm | |
| | | | | X.X | ±0.30 | | UNIT | mm | | | | |
| | | | | X.XX | ±0.20 | CHECK | SIZE | A4 | | | | |
| | | | | X.XXX | ±0.10 | | SHEET | 1/1 | | | | |
| A0 | 2012.10.08 | NEW DRAWING | | Angle | ±3° | APPROVE | PROJ. | | | | | |
| REV | DATE | MODIFICATION DESCRIPTION | | DIM | TOL | | | | | | | |
| 1 | 2 | 3 | 4 | 5 | 6 | 7 | 8 | 9 | | | | |